

# Reduced Voltage Starters

## Solid State

### ASTAT XT Soft Starter

Outlines and Dimensions

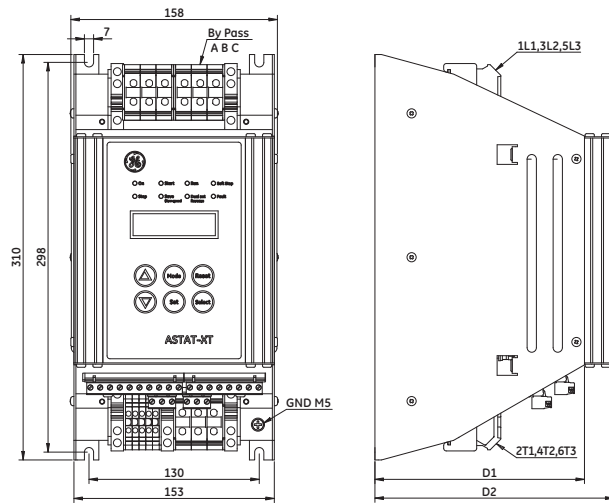
## Section 2

#### All Units

Power Terminal Size (mm <sup>2</sup> )		
Input	Bypass	Output
1L1, 3L2, 5L3	A, B, C	2T1, 4T2, 6T3
16	16	16
16	16	16
16	16	16
16	16	35
16	16	35
35	35	35

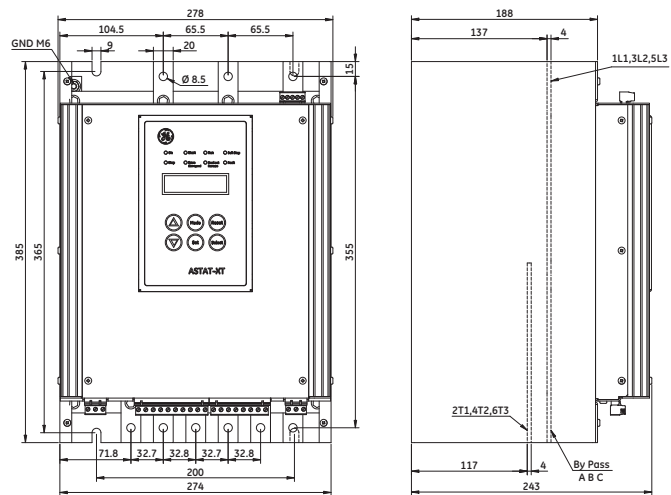
#### UL Certified Units

Product Number	Dimensions inches (mm)				Weight lbs. (Kg)
	Height	Width	D1	D2	
QTx0008U	12.2 (309.9)	6.2 (157.5)	6.3 (160)	7.2 (182.5)	1.9 (4.2)
QTx0017U	12.2 (309.9)	6.2 (157.5)	6.3 (160)	7.2 (182.5)	1.9 (4.2)
QTx0031U	12.2 (309.9)	6.2 (157.5)	6.3 (160)	7.2 (182.5)	2.4 (5.3)
QTx0044U	12.2 (309.9)	6.2 (157.5)	8.1 (207)	9.0 (229.5)	3.0 (6.7)
QTx0058U	12.2 (309.9)	6.2 (157.5)	8.1 (207)	9.0 (229.5)	3.0 (6.7)
QTx0072U	12.2 (309.9)	6.2 (157.5)	8.1 (207)	9.0 (229.5)	3.0 (6.7)



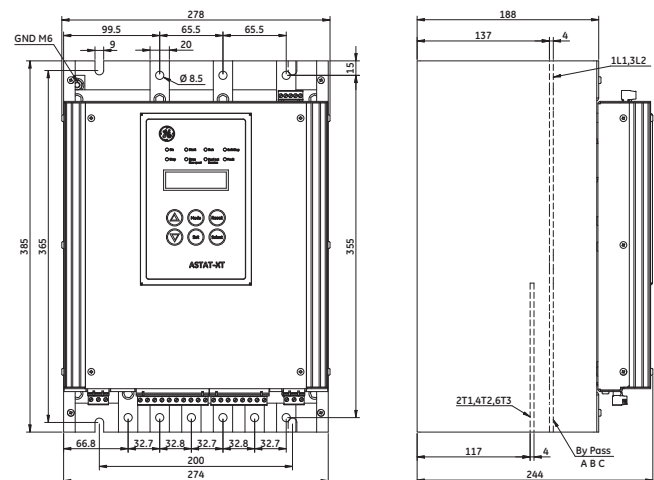
#### UL Certified Units

Product Number	Dimensions inches (mm)				Weight lbs. (Kg)
	Height	Width	Depth	Weight lbs. (Kg)	
QTx0085U	15.2 (386.1)	10.9 (276.9)	9.6 (243.8)	6.9 (15.2)	
QTx0105U	15.2 (386.1)	10.9 (276.9)	9.6 (243.8)	6.9 (15.2)	



#### UL Certified Units

Product Number	Dimensions inches (mm)				Weight lbs. (Kg)
	Height	Width	Depth	Weight lbs. (Kg)	
QTx0145U	15.2 (386.1)	10.9 (276.9)	9.6 (243.8)	6.9 (15.2)	
QTx0170U	15.2 (386.1)	10.9 (276.9)	9.6 (243.8)	6.9 (15.2)	



# Reduced Voltage Starters

## Solid State

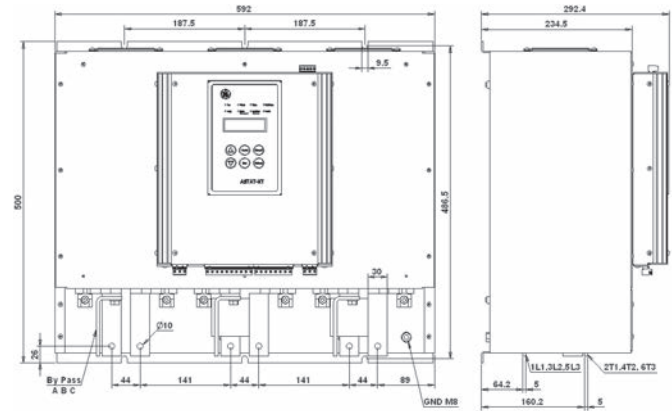
### ASTAT XT Soft Starter

#### Outlines and Dimensions

## Section 2

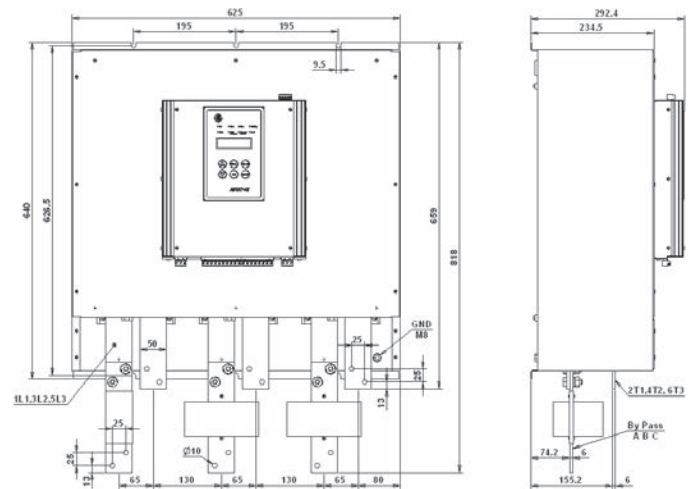
#### UL Certified Units

Product Number	Dimensions inches (mm)			Weight lbs. (Kg)
	Height	Width	Depth	
QTx0210U	19.7 (500.4)	23.3 (591.8)	11.5 (292.1)	14.9 (32.7)
QTx0310U	19.7 (500.4)	23.3 (591.8)	11.5 (292.1)	14.9 (32.7)
QTx0390U	19.7 (500.4)	23.3 (591.8)	11.5 (292.1)	14.9 (32.7)



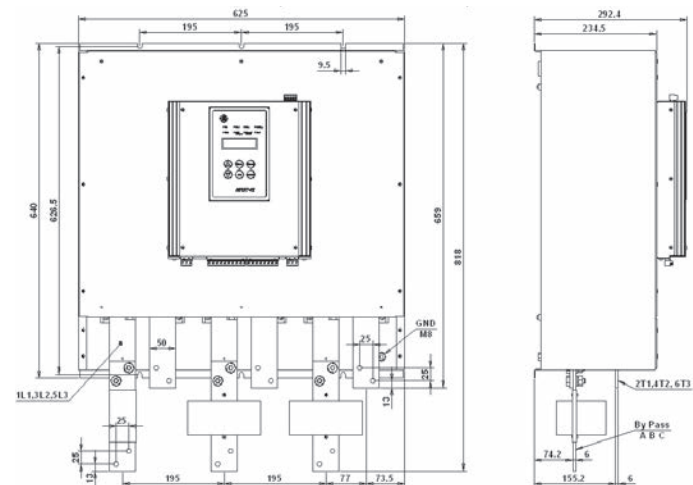
#### UL Certified Unit

Product Number	Dimensions inches (mm)			Weight lbs. (Kg)
	Height	Width	Depth	
QTx0460U	32.2 (817.9)	24.6 (624.8)	11.5 (292.1)	28.1 (61.8)



#### UL Certified Units

Product Number	Dimensions inches (mm)			Weight lbs. (Kg)
	Height	Width	Depth	
QTx0580U	32.2 (817.9)	24.6 (624.8)	11.5 (292.1)	31.6 (69.5)
QTx0820U	32.2 (817.9)	24.6 (624.8)	11.5 (292.1)	31.6 (69.5)



# Reduced Voltage Starters

## Solid State

### ASTAT XT Soft Starter

#### Outlines and Dimensions

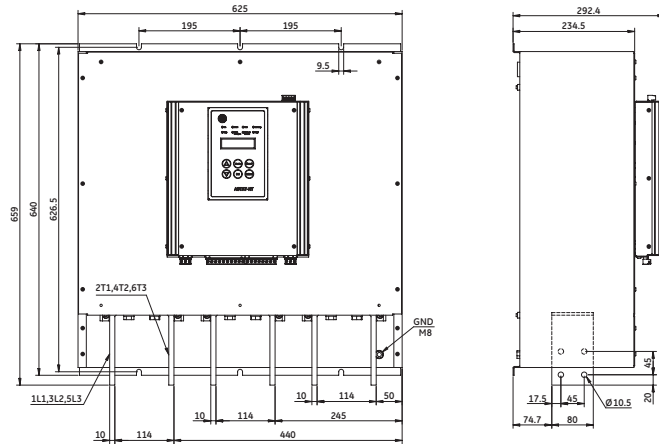
## Section 2

#### Non - UL Certified Unit

Product Number	Dimensions inches (mm)			Weight lbs. (Kg)
	Height	Width	Depth	
QTx0950N	25.9 (657.9)	24.6 (624.9)	11.5 (292.1)	39.4 (86.7)

#### Notes:

- All ASTAT XT Soft Starter models rated 950A and up **must** be operated with a bypass contactor.
  - Add space for current transformers (supplied separately from the main unit) and bus bars for preparation for bypass
- Approximate current transformers dimensions: W=240mm, H=130mm, D=90mm



#### Non - UL Certified Units

Product Number	Dimensions inches (mm)			Weight lbs. (Kg)
	Height	Width	Depth	
QTx1100N	43.3 (1099.8)	28.5 (723.9)	14.8 (375.9)	77.7 (169.8)
QTx1400N	43.3 (1099.8)	28.5 (723.9)	14.8 (375.9)	79.8 (175.5)

#### Notes:

- All ASTAT XT Soft Starter models rated 950A and up **must** be operated with a bypass contactor.
  - Add space for current transformers (Supplied separately from main unit) and bus bars for preparation for bypass
- Approximate current transformers dimensions:  
W=240mm, H=130mm, D=90mm. (for 1100A unit, Product Numbers QTx1100N\_)  
W=270mm, H=155mm, D=90mm. (for 1400A unit, Product Numbers QTx1400N\_)

